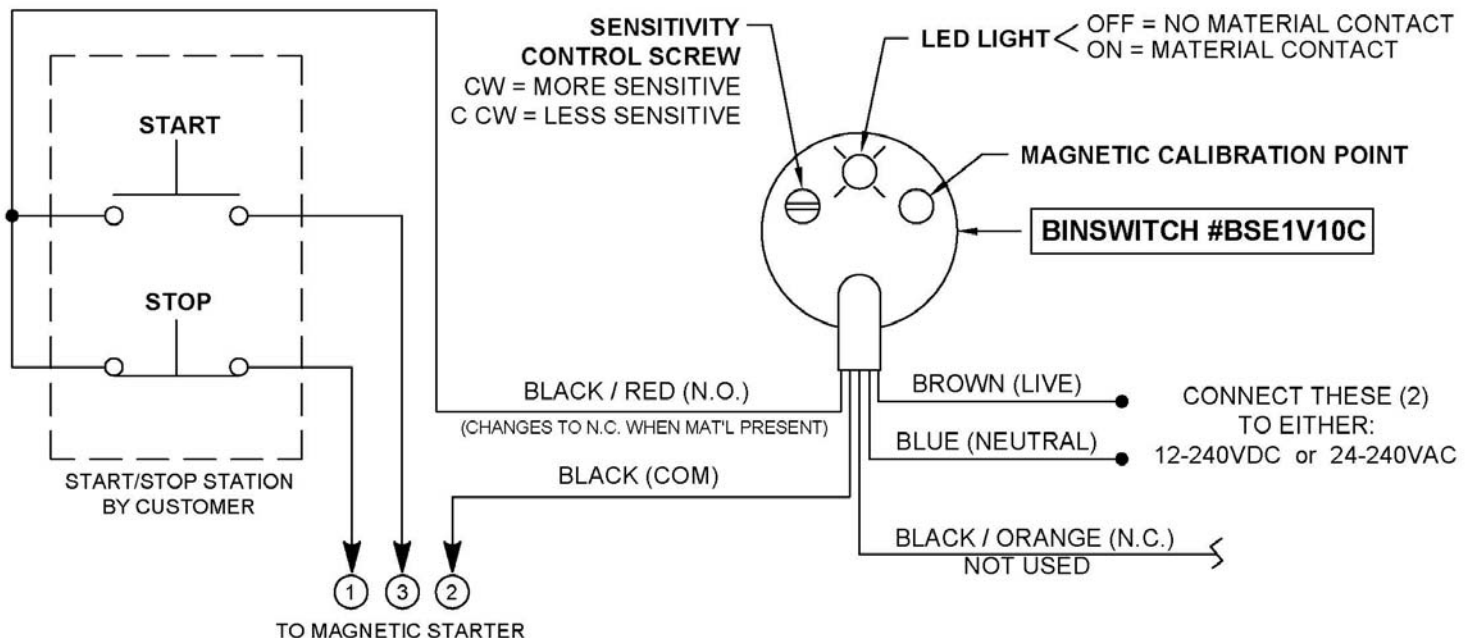


Quick Start wiring of BSE1V10C probe:

1. Install probe into the head section housing with the probe end extending 1" past the metal housing
2. Supply either 12-240VDC or 24-240VAC power to probe
3. Gently turn the sensitivity screw fully C CW
4. Place magnet (from inside box) by the probe calibration point. The LED will start flashing ON and OFF
5. Remove magnet when the LED is in an OFF cycle (this is the De-Energized state)
6. Wait one minute (probe does some automatic stabilization)
7. Hold your hand 1/4" from inside end of probe & turn sensitivity screw CW until LED turns ON
8. Turn sensitivity screw an additional 10 degrees CW (about 1/32")
9. Test the Probe. The LED should turn OFF when you remove your hand and turn ON when you touch the probe



The conveyor should only be able to operate when the LED is OFF !